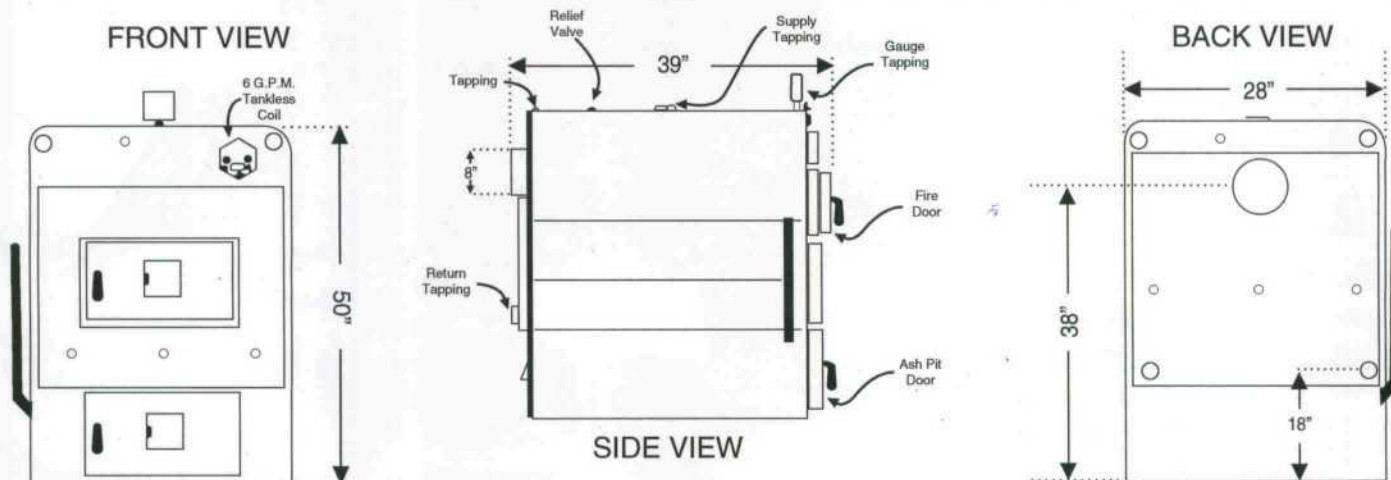


# HEATHER BOILER WORKS

Division of Curwensville Heating and Plumbing Company

## SPECIFICATIONS

	Model H-5	Model H-8
BTU Output	150,000	200,000
Working Pressure	30 lbs.	30 lbs.
HydroTest	100 lbs.	100 lbs.
Weight	850 lbs.	1,200 lbs.
Width	28"	28"
Height	50"	50"
Length	39"	51"
Smoke Collar Diameter	8"	9"
	(38" from floor to center.)	(38" from floor to center.)
No. of grates	6	9
Firebox Size	19 1/4" x 25 1/2"	19 1/4" x 37 1/2"
Firedoor Opening	10 1/4" x 13 3/8"	10 1/4" x 13 3/8"
Ash Pit	14" depth	14" depth
Supply Taps	1-2"	2-2"
Return Taps	2-1 1/4 at rear	2-1 1/2" at rear
Control Tap	1/2"	1/2"
Gauge Tap	1/2"	1/2"
Relief Tap	3/4"	3/4"
Tankless Coil	6 g.p.m.	6 g.p.m.
Water Content	42 gal.	60 gal.
<b>TAP LOCATION</b>		
<b>STANDARD EQUIPMENT</b>		
<b>CONTROLS AND GAUGES</b>  Tankless water heater Over/ride Aquastat Compound Gauge Feed Line Safety Relief valve Control Damper Return		Compound gauge 30# pressure relief valve Honeywell Over/ride Aquastat Honeywell Damper Motor  We stock all controls, expansion tanks, circulating pumps etc. Ask for more information on these items.



**CURWENSVILLE HEATING & PLUMBING, LLC**  
 357 Thompson Street Curwensville, PA 16833  
 Telephone (814) 236-1711 Fax (814) 236-1128